

displaybright®

IMPORTANT SAFETY INSTRUCTIONS

SAFETY FIRST:

Lighted lamp is HOT!

WARNING - To reduce the risk of FIRE, ELECTRIC SHOCK, OR INJURY TO PERSONS:

1. Turn off/unplug and allow to cool before replacing the bulb.
2. Bulb gets HOT quickly! Contact only plug when turning on.
3. Do not touch hot lens, guard or enclosure.
4. Do not remain in light if skin feels warm.
5. Do not look directly at lighted bulb.
6. Keep lamp away from materials that may burn.
7. To TURN ON LIGHT plug into a grounded 120volt 60 hz. outlet or circuit protected plugging strip .
8. These components are for indoor use only.

BULB REPLACEMENT

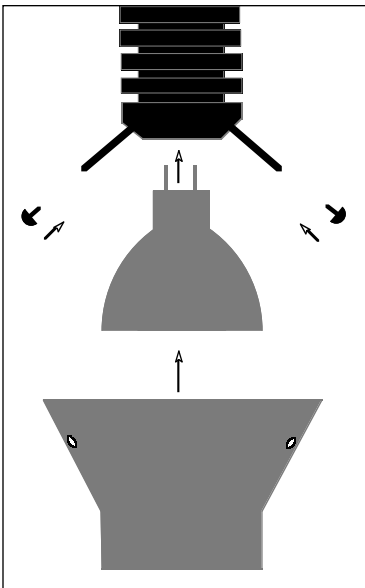


fig. 1

This low voltage display light is designed for use by exhibit professionals only. Please take a moment to read ALL of the following information...

This product is guaranteed for the period of one year from date of purchase against defects in workmanship or materials.

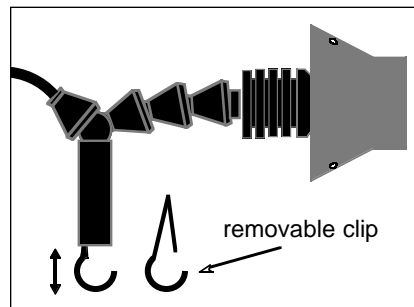


fig. 2

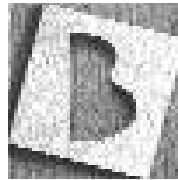
Fig. 1 shows the bulb replacement. Remove shade screws with a small phillips head screwdriver. Use a light oil lubricant on the bulb "pins" to aid bulb insertion. Be sure to push bulb pins in between tiny metal pin contacts in socket. Push bulb straight in.

Fig. 2 shows how the spring steel 1/2" dia. tube clamp can be removed. (for MINI displaybright fixture only) Tube fits 7/16" peg

Fig. 3 - 6 show different applications of the modular clamp included with the displaybright arm/pedestal lights.

- When adjusting lights, DO NOT OVERBEND Adjustment segments.

- The maximum extension on arm lights is determined by a "collar" stop along cord.



CLAMPING VARIATIONS

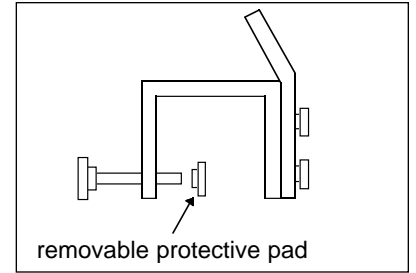


fig. 3

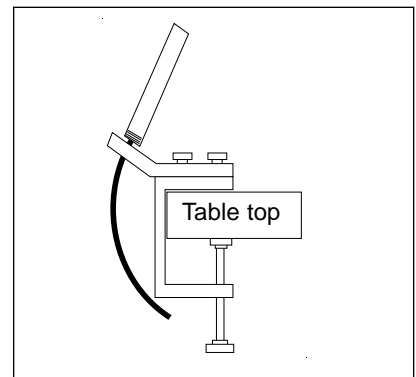


fig. 4

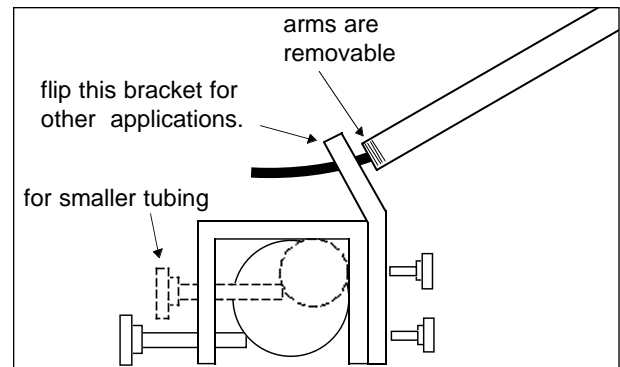


fig. 5

Optional Velcro Clamp Base:

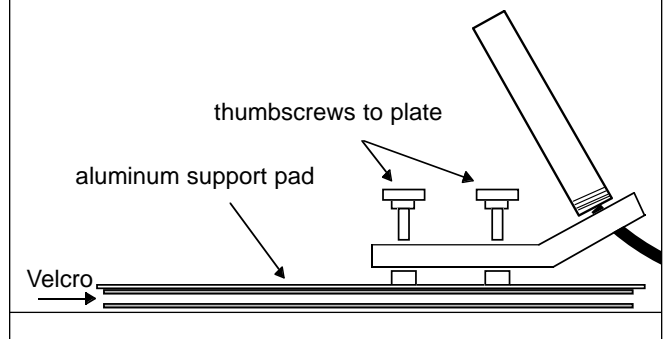


fig. 6